



CUSTOM CABINET SOLUTIONS

CONSTRUCTION SPECIFICATIONS

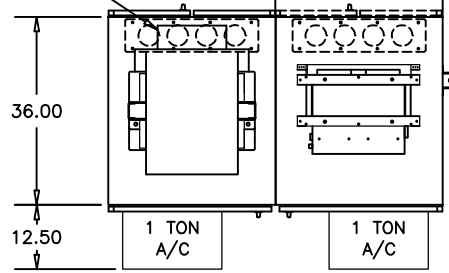
- Heavy Gauge Aluminum or Steel as Required
- Powder Coat or Epoxy Finishes
- Stainless Steel and Grade-8 Fasteners Throughout
- Hot-Dipped Galvanized Steel Base Frame
- R4 Rated Double-Sided Foil Insulation
- Stainless Steel Handles and Hardware
- Yellow Zinc Door Stops
- Modular Construction (Walk-In Cabinets)
- Linex® Floor Coating (Walk-In Cabinets)
- Super Heavy Duty Hinges
- Custom Designed Equipment & Battery Racks as Required

CONFIGURATION SPECIFICATIONS

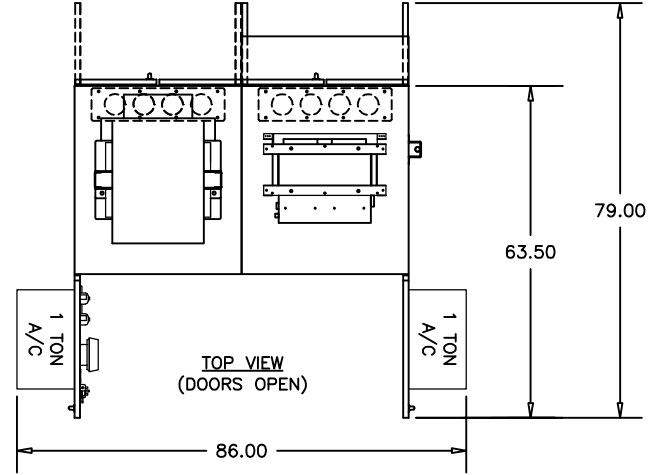
- Custom Designed UL® Listed NEMA 3R Communications Cabinet
- 150 MPH Wind Load, 150-lb/sq. ft. Snow Load, 500-lb/sq. ft. Floor Load, Zone-4 Rated
- Halo Ground Ring, Main Ground Bar (Exterior) Equipment Ground Bar (Interior)
- Internal & External GFI Service Receptacles
- 200 AMP 42-Position 1-Phase 3-Wire Distribution Panel
- Flexible Equipment Mounting Options with Ceiling Mounted Ladder Rack
- Modular Design Provides For On-Site Assembly in Access Restricted Areas Like; Parking Garages, Roof Tops and Apartment Buildings
- McLean® HVAC Units with Lead-Lag Controller
- Fire Extinguisher, First-Aid & Eye Wash Kit Mounted on Telco Board
- Fluorescent or LED lighting as Required
- Passive Hydrogen Venting
- White Powder Coat Finish Standard - Custom Colors Available
- Concealment Solutions Available
- High & Low Temperature Alarm, Intrusion, Smoke, Surge, & Utility Power Fail Alarms as Required



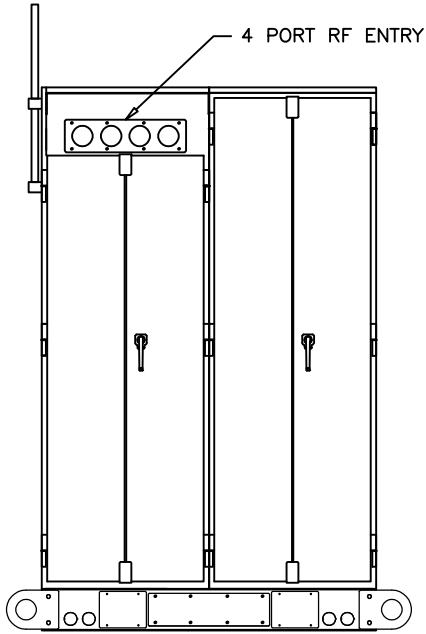
120/ 240V
125A 1Ø
20 POS. PANEL



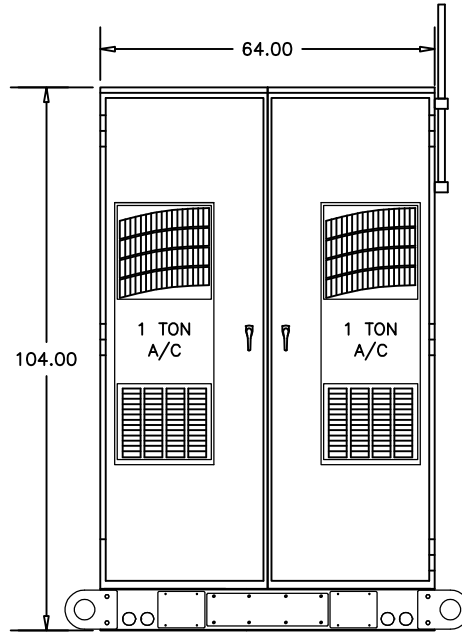
TOP VIEW



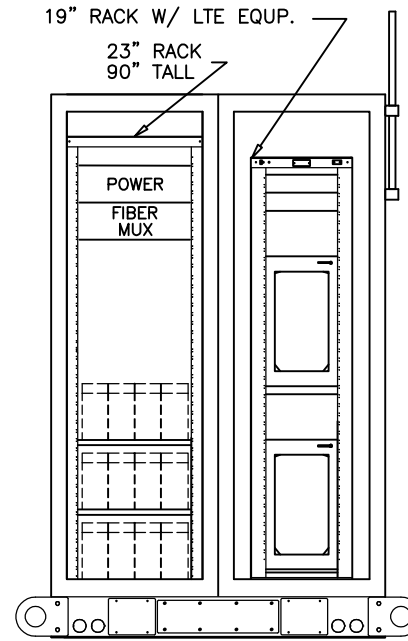
TOP VIEW
(DOORS OPEN)



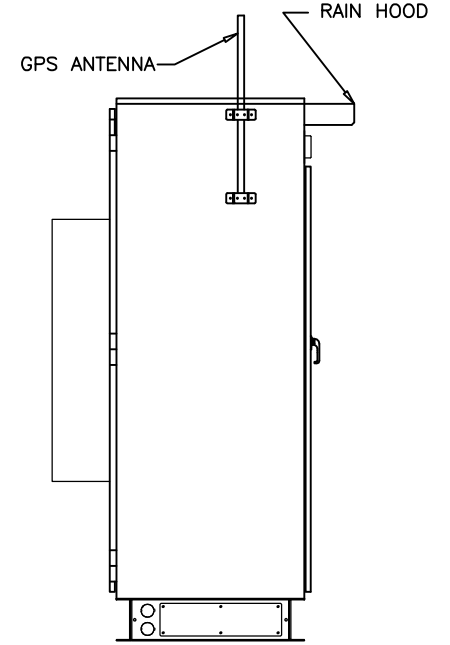
REAR VIEW



FRONT VIEW



FRONT VIEW
DOOR REMOVED



RIGHT SIDE VIEW

**PROPRIETARY
PROPOSAL**

**** PROPRIETARY AND CONFIDENTIAL ****

THIS DOCUMENT AND THE INFORMATION
HEREIN IS THE SOLE PROPERTY OF
SUN WEST ENGINEERING INC.
DUPLICATION OF THIS INFORMATION WITHOUT
PRIOR CONSENT OF SUN WEST ENGINEERING
IS FORBIDDEN.



SUN WEST ENGINEERING, INC.
3802 E. BROADWAY, PHOENIX, AZ 85040 (602) 275-0662

TITLE: 125A 20 CIRCUIT 120/240 1Ø
L/H INTERIOR PANEL

CUSTOMER:

PLOT SCALE: .XXXX=1 SHEET: 1 of 1

DRAWN BY: *HJM* DATE DRAWN: 7-28-12

REVISED: DWG. No. SW-4004R4